

1384-1386 PROTECTOR®

MANSFIELD®

Elongated Front, SmartHeight™, No-Overflow, Vitreous China, Two-Piece Toilet

FEATURES

- No-Overflow toilet
- Secondary drain concealed within the bowl
- 1.6 gpf / 6.0 lpf low water consumption
- PuraClean® easy-to-clean glaze
- SmartFasten™ 3-bolt tank-to-bowl connection
- Oversized footprint
- Elongated front, SmartHeight™ bowl
- Pilot anti-siphon fill valve
- 3" flush valve
- 12" rough-in
- Model 57 decorative metal trip lever
- 2" glazed trapway
- The Mansfield® limited lifetime warranty
- Available in White



MODEL 1384-1386

Toilet seat not included

Available as CTK



ELONGATED





SMARTHEIGHT ADA



CTK

COMPONENTS

| MODEL # | DESCRIPTION | CODES/STANDARDS |
|-----------|---|---|
| 1384-1386 | Elongated front, SmartHeight™, two-piece toilet. Less toilet seat and supply. |   |
| 1384 | Elongated front, SmartHeight™ toilet bowl only. Less supply. | |
| 1386 | Tank and cover only, with left hand, front-mount, chrome-plated, metal trip lever. Less supply. | |

TANK TRIM & REPLACEMENT PARTS

| | |
|----------|---|
| 57 | Trip lever - chrome-plated, metal trip lever, left hand |
| 206-1112 | 3" flapper flush valve |
| 2206 | Pilot operated fill valve |
| 630-0207 | 3" Replacement flapper |
| 386-LID | Tank lid |





1384-1386 PROTECTOR®



Elongated Front, SmartHeight™, No-Overflow, Vitreous China, Two-Piece Toilet

SPECIFICATIONS

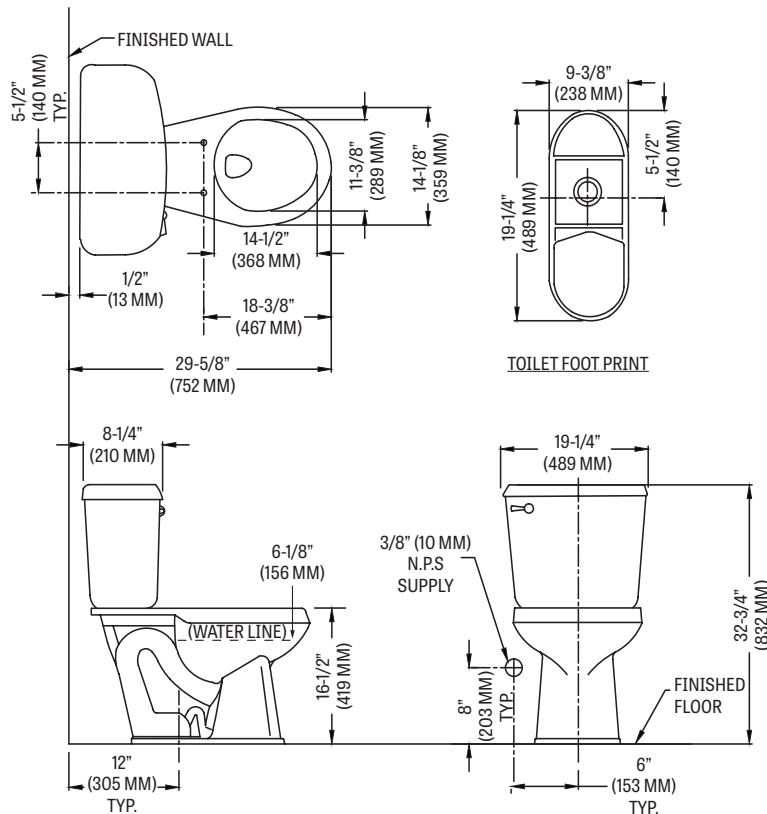
| MODEL # | DESCRIPTION | CODES/STANDARDS |
|-----------|--|---|
| 1384-1386 | Elongated front, SmartHeight™ (1.6 gpf/6.0 lpf) two-piece toilet |   |

| | |
|----------------------|------------------------------------|
| MATERIAL | Vitreous China |
| WATER PRESSURE RANGE | 20 to 80 PSI |
| FLUSH SYSTEM | 3' MagnaFlush™ flushing technology |
| WATER USAGE | 1.6 gpf / 6.0 lpf |
| WATER SURFACE AREA | 7-3/4' X 8-3/4' |
| ROUGH-IN | 12' |
| MAP RATING | 800 grams |

| | |
|-----------------|---|
| TRAP DIAMETER | 2' |
| TRAP SEAL | 2' |
| SHIPPING WEIGHT | Model 1384 - 55 lbs. (25 kg) Model 1386 - 35 lbs. (16 kg) |
| WARRANTY | Vitreous China - Limited Lifetime Tank Trim - Limited One Year |

TECHNICAL INFORMATION

Note: these dimensions are nominal and subject to change without notice.



Fixture performance and specifications meet or exceed ASME A112.19.2/CSA B45.1 standards, and other state and local codes.

